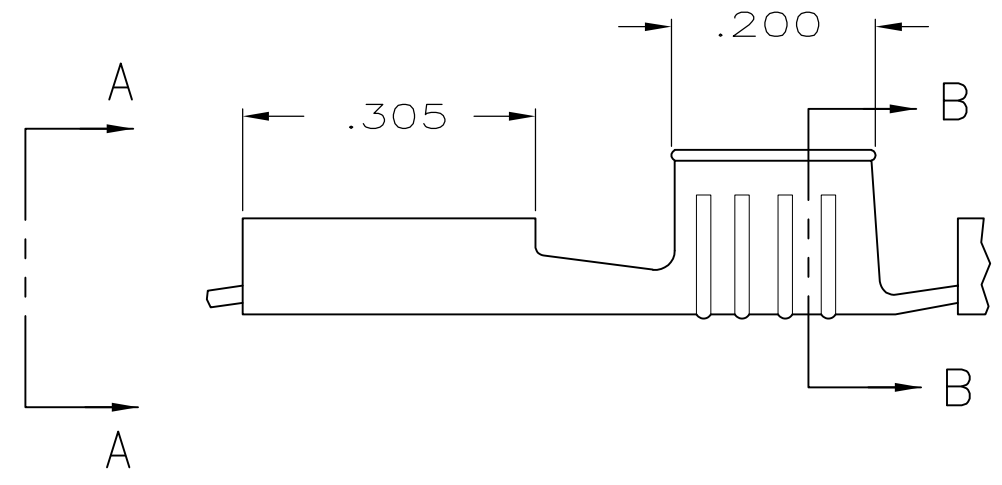
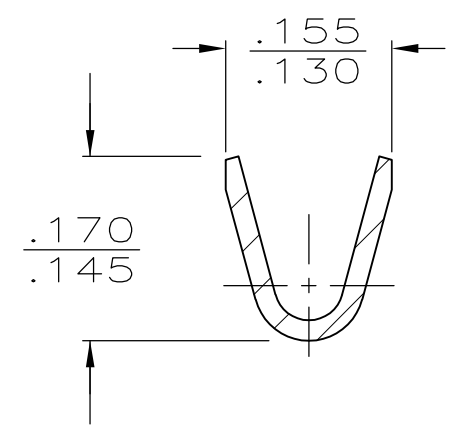
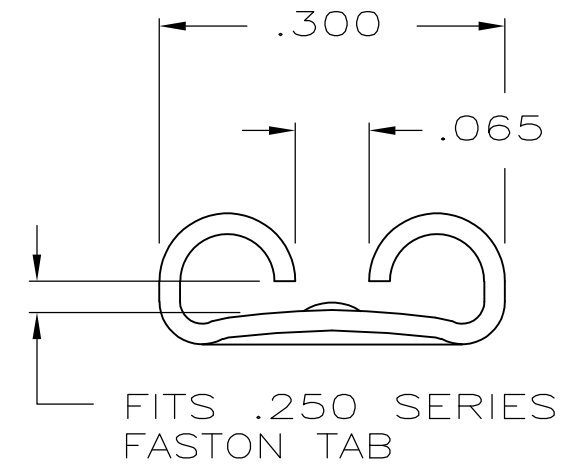
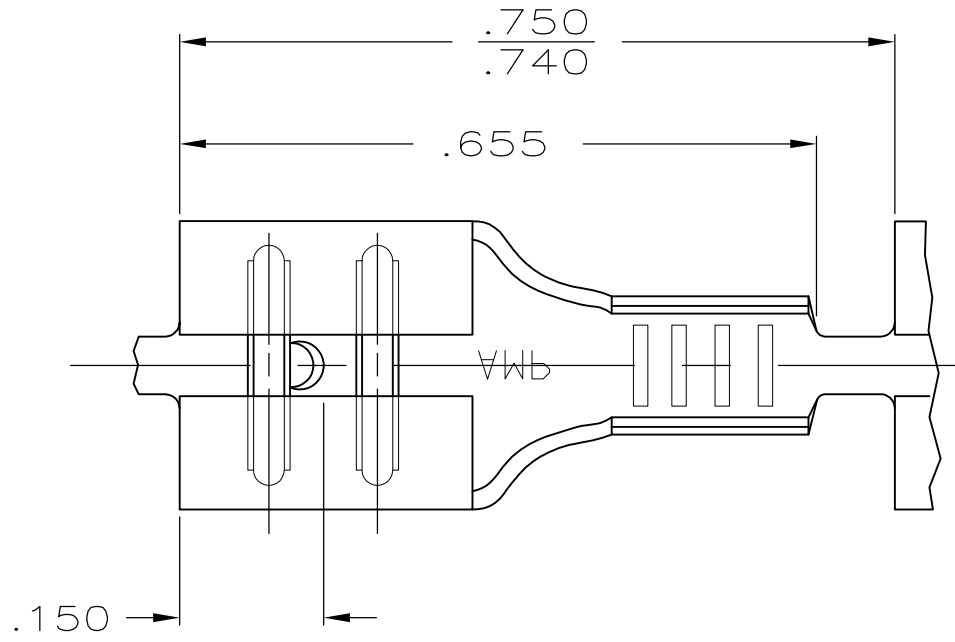


THIS DRAWING IS UNPUBLISHED. RELEASED FOR PUBLICATION
 © COPYRIGHT - By - ALL RIGHTS RESERVED.

LOC	DIST	REVISIONS					
AF	50	P	LTR	DESCRIPTION	DATE	DWN	APVD
			U	REVISED PER ECR-12-013445	18OCT12	KH	PD



THIS DRAWING IS A CONTROLLED DOCUMENT.

DIMENSIONS: INCHES	TOLERANCES UNLESS OTHERWISE SPECIFIED:
	0 PLC ± -
	1 PLC ± -
	2 PLC ± -
	3 PLC ± .015
	4 PLC ± -
	ANGLES ± -
MATERIAL BRASS	FINISH TIN

DWN	JR RUTH	5/28/86
CHK	MS FEHER	5/30/86
APVD	C MEYERS	5/30/86
PRODUCT SPEC	-	
APPLICATION SPEC	-	
WEIGHT	-	

18-14	.032 ±.001	41194	
WIRE SIZE	TAB THK.	PART NO	
STE TE Connectivity			
.250 SERIES FASTON RECEPTACLE			
SIZE	CAGE CODE	DRAWING NO	RESTRICTED TO
A3	00779	C-41194	-
CUSTOMER DRAWING		SCALE 5:1	SHEET 1 OF 1
		REV U	